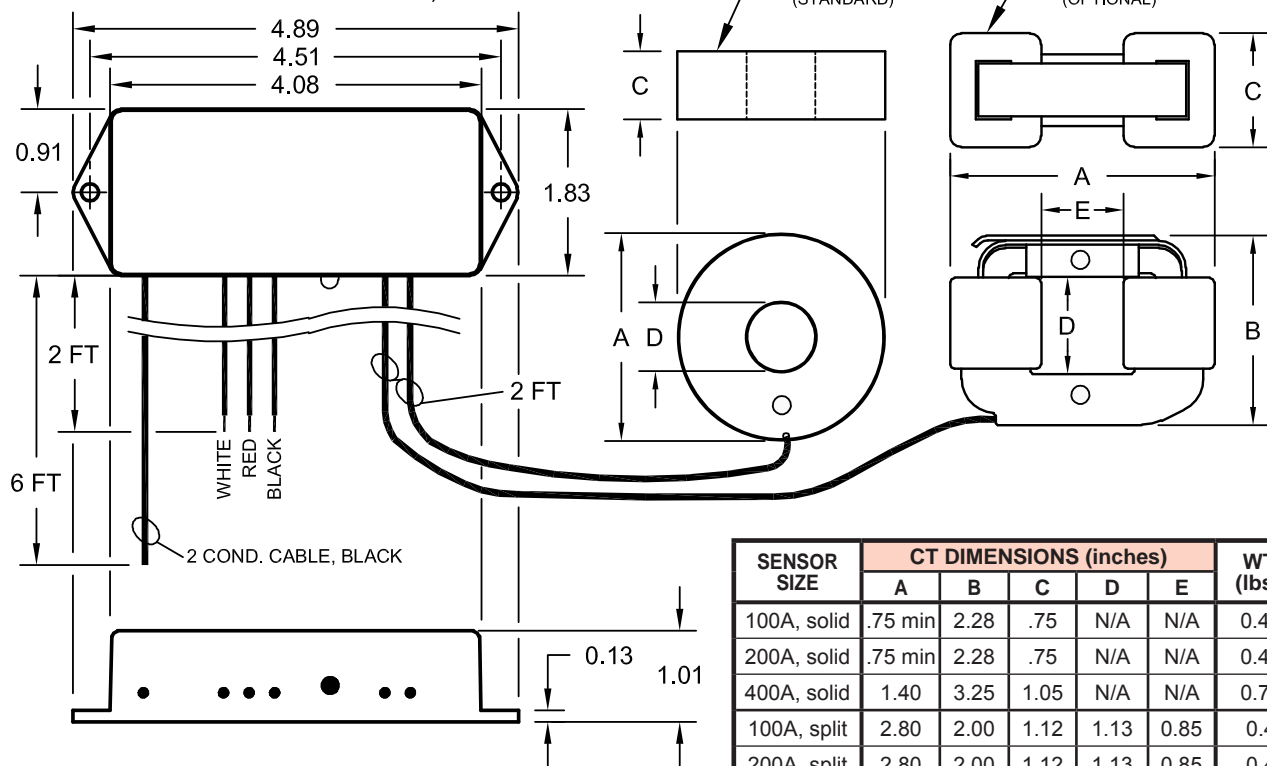


CASE AND CT DIMENSIONS

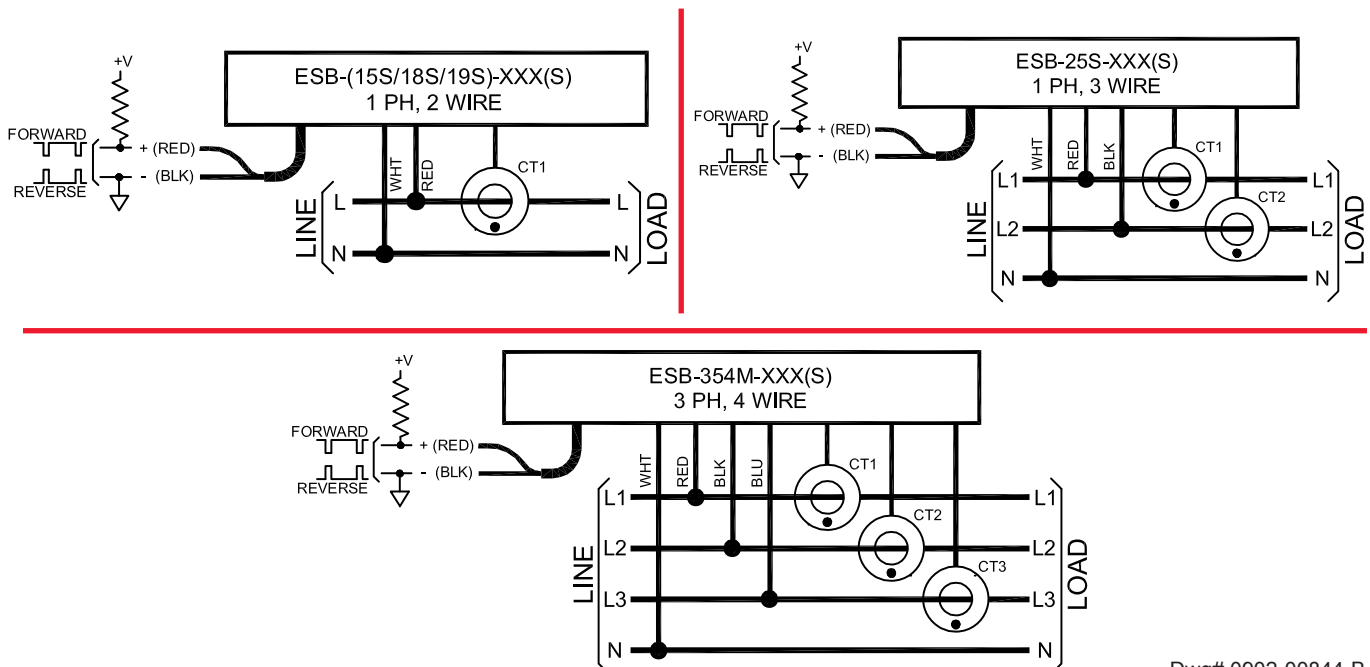
(ESB-25S SHOWN - CASE DIMENSIONS ARE THE SAME FOR ALL METERS)



SENSOR SIZE	CT DIMENSIONS (inches)					WT. (lbs.)
	A	B	C	D	E	
100A, solid	.75 min	2.28	.75	N/A	N/A	0.41
200A, solid	.75 min	2.28	.75	N/A	N/A	0.44
400A, solid	1.40	3.25	1.05	N/A	N/A	0.75
100A, split	2.80	2.00	1.12	1.13	0.85	0.4
200A, split	2.80	2.00	1.12	1.13	0.85	0.4
400A, split	3.85	3.80	1.30	2.40	1.25	0.8

(ALL DIMENSIONS ARE IN INCHES UNLESS OTHERWISE NOTED)

CONNECTION DIAGRAMS



Dwg# 0902-00844-B